



Zona Industriale ASI - 81025 Marcianise (CE) Tel.+39 0823/82.11.12

Fax.+39 0823/581140

[e-mail: info@mekeuroengineering.com](mailto:info@mekeuroengineering.com)

<http://www.mekeuro.com>



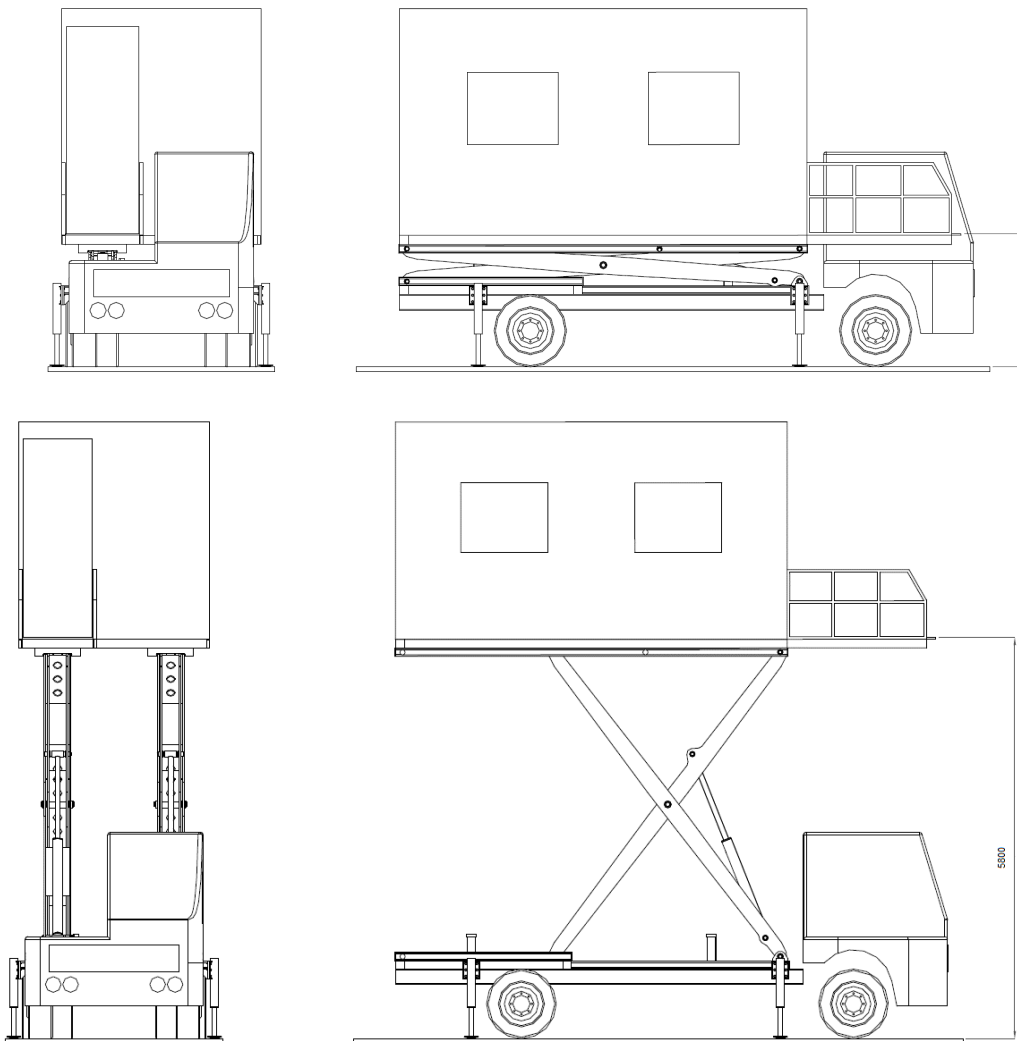
AMBULIFT

TDA 1658

CAPACITY: 2000 kg

OPERATIVE RANGE: 1650/5800 mm

Ambulift on ISUZU F14NQ (or on request a similar IVECO vehicle), has been designed for the transport of disabled people in wheelchairs and on stretchers sick from ground level.



TECHNICAL SPECIFICATION

Truck	ISUZU F14NQ	Minimum height from ground (with stabilizer feet)	1650 mm
Wheelbase	5320 mm	Maximum height from ground (with stabilizer feet)	5800 mm
Overall width	2500mm	Operating speed max	30 Km/h
Height	4090 mm	Max wind speed	74 Km/h
Total Length	8900 mm		
Sizes vanbody (external)		Sizes of the platforms	
Width	2290 mm	Front	Rear
Height(without air cond. system)	2270 mm	Width	850 mm
Length	6900 mm	Length	1800 mm
Capacity Vanload	2000 Kg	Longitudinal movement	500 mm
(9 passengers in wheelchairs and 2 assistants, or 4 stretchers and 2 assistants)		Working height	1650 mm
		Capacity	454 Kg
		Width	2200 mm
		Length	1700 mm
		Working height to floor	0-1600mm
		Capacity	700 Kg