



Zona Industriale ASI - 81025 Marcianise (CE)

Tel.+39 0823/82.11.12 Fax.+39 0823/581140

e-mail: info@mekeuroengineering.com

<http://www.mekeuro.com>



AMBULIFT

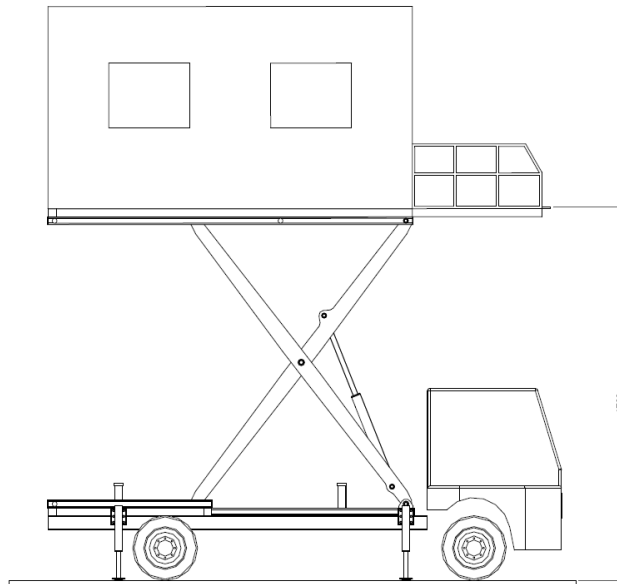
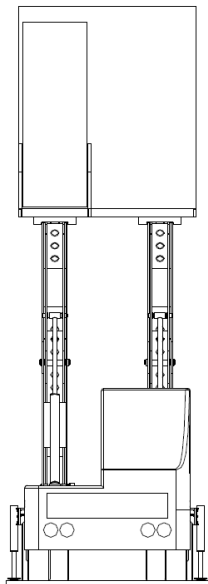
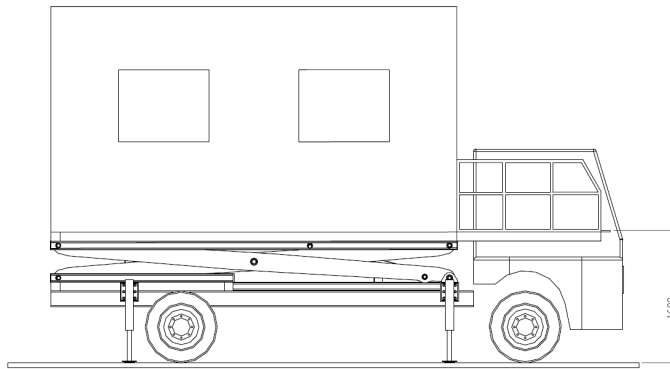
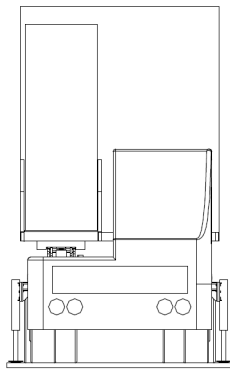
TDA 1645

CAPACITY: 2000 kg

OPERATIVE RANGE: 1600/4500 mm

Ambulift on ISUZU P75-K (or on request a similar IVECO vehicle), has been designed for the transport of disabled people in wheelchairs and on stretchers sick from ground level.

AMBULIFT mod: TDA 1645



TECHNICAL SPECIFICATION

Truck:	Isuzu P75-K	Minimum height from ground (with stabilizer feet)	1600 mm
Wheelbase	3815 mm	Maximum height from ground (with stabilizer feet)	4500 mm
Overall width	2500mm	Operating speed max	30 Km/h
Height	3975 mm	Max wind speed	74 Km/h
Total Length	6500 mm		

Sizes vanbody (external)

Sizes of the platforms

Width	2450 mm
Height(without air cond. system)	2330 mm
Length	4500 mm
Capacity Vanload	2000 Kg
(6 passengers in wheelchairs and 2 assistants, or 2 stretchers and 4 passengers in wheelchairs and 2 assistants, or 10 people standing and 2 assistants)	

Front		Rear	
Width	900 mm	Width	2200 mm
Length	1650 mm	Length	1700 mm
Longitudinal movement	500 mm	Working height to floor	0-1600mm
Working height	1600 mm	Capacity	700 Kg
Capacity	454 Kg		